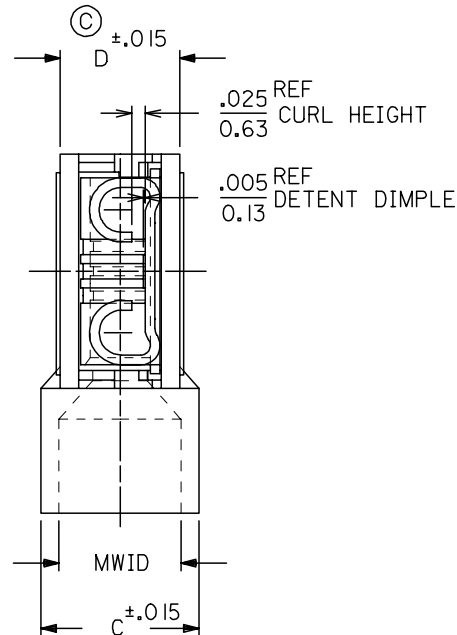
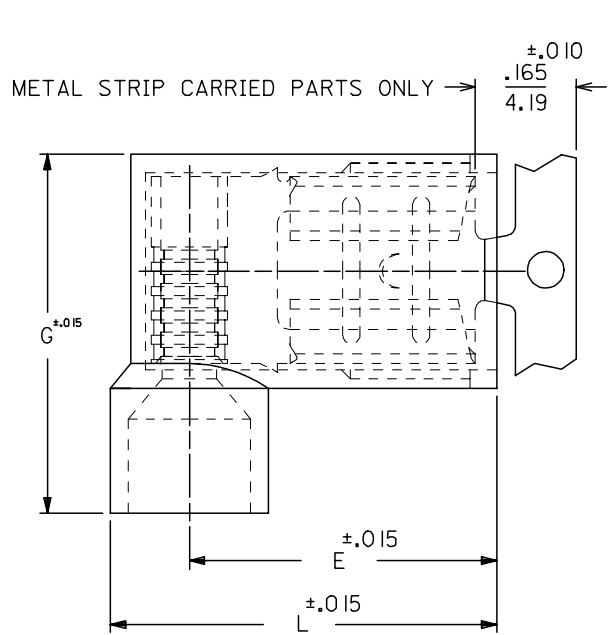


MATERIAL NUMBER	ENGINEERING NUMBER	CARRIER STYLE	AWG	COLOR	MWID	L	G	E	C	D
190070001	AA-2220	LOOSE	22-18	RED	.176/4.47	.630/16.00	.585/14.86	.512/13.00	.236/5.99	.197/5.00
190070005	AA-2220X	LOOSE	22-18	RED	.240/6.10	.662/16.81	.625/15.88	.512/13.00	.300/7.26	.197/5.00
190070021	BB-2221	LOOSE	16-14	BLUE	.200/5.08	.630/16.00	.585/14.86	.500/12.70	.260/6.60	.197/5.00
190070025	BB-2221X	LOOSE	16-14	BLUE	.265/6.73	.670/17.02	.625/15.88	.500/12.70	.325/8.26	.197/5.00
190070040	C-2211	LOOSE	12-10	YELLOW	.260/6.60	.667/16.93	.677/17.20	.511/12.98	.311/7.90	.246/6.25
190070008	AA-2220Z	METAL STRIP	22-18	RED	.176/4.47	.630/16.00	.585/14.86	.512/13.00	.236/5.99	.197/5.00
190070007	AA-2220XZ	METAL STRIP	22-18	RED	.240/6.10	.662/16.81	.625/15.88	.512/13.00	.300/7.26	.197/5.00
190070028	BB-2221Z	METAL STRIP	16-14	BLUE	.200/5.08	.630/16.00	.585/14.86	.500/12.70	.260/6.60	.197/5.00
190070027	BB-2221XZ	METAL STRIP	16-14	BLUE	.265/6.73	.670/17.02	.625/15.88	.500/12.70	.325/8.26	.197/5.00
190070041	C-2211Z	METAL STRIP	12-10	YELLOW	.260/6.60	.667/16.93	.677/17.20	.511/12.98	.311/7.90	.246/6.25



- NOTES:
1. MWID = MAX. WIRE INSULATION DIA.
  2. ALL DIMENSIONS = INCHES/MM
  3. MATERIAL:  
HOUSING: NYLON  
TERMINAL: TIN PLATED BRASS
  4. ASSEMBLY IS ROHS COMPLIANT.

REDWN W/DIM. D ADDED EC NO: ETC2007-0229 DRW: NEHLE 2006/12/15 CHKD: JMACNEIL 2006/12/15 APPR: JMACNEIL 2006/12/15	QUALITY SYMBOLS	GENERAL TOLERANCES (UNLESS SPECIFIED)	DIMENSION STYLE	SCALE	DESIGN UNITS	THIRD ANGLE PROJECTION																				
	$\nabla=0$ $\nabla=0$	<table border="1"> <thead> <tr> <th></th> <th>mm</th> <th>INCH</th> </tr> </thead> <tbody> <tr> <td>4 PLACES</td> <td>± ---</td> <td>± ---</td> </tr> <tr> <td>3 PLACES</td> <td>± ---</td> <td>±.005</td> </tr> <tr> <td>2 PLACES</td> <td>±0.13</td> <td>±.01</td> </tr> <tr> <td>1 PLACE</td> <td>±0.25</td> <td>± ---</td> </tr> </tbody> </table>		mm	INCH	4 PLACES	± ---	± ---	3 PLACES	± ---	±.005	2 PLACES	±0.13	±.01	1 PLACE	±0.25	± ---	IN/MM	5:1	INCH						
		mm	INCH																							
	4 PLACES	± ---	± ---																							
3 PLACES	± ---	±.005																								
2 PLACES	±0.13	±.01																								
1 PLACE	±0.25	± ---																								
DRAFT WHERE APPLICABLE MUST REMAIN WITHIN DIMENSIONS	<table border="1"> <tr> <td>DRAWN BY</td> <td>DATE</td> <td>TITLE</td> </tr> <tr> <td>RCM</td> <td>1989/07/26</td> <td>FLAG QUICK DISCONNECT, FULLY INSULATED, .250 X .032 TAB SIZE</td> </tr> <tr> <td>CHECKED BY</td> <td>DATE</td> <td></td> </tr> <tr> <td>JM</td> <td>1989/07/26</td> <td></td> </tr> <tr> <td>APPROVED BY</td> <td>DATE</td> <td></td> </tr> <tr> <td>FP</td> <td>1989/07/26</td> <td></td> </tr> </table>	DRAWN BY	DATE	TITLE	RCM	1989/07/26	FLAG QUICK DISCONNECT, FULLY INSULATED, .250 X .032 TAB SIZE	CHECKED BY	DATE		JM	1989/07/26		APPROVED BY	DATE		FP	1989/07/26		<table border="1"> <tr> <td>MATERIAL NO.</td> <td>DOCUMENT NO.</td> <td>SHEET NO.</td> </tr> <tr> <td>SEE CHART</td> <td>SD-19007-004</td> <td>1 OF 1</td> </tr> </table>	MATERIAL NO.	DOCUMENT NO.	SHEET NO.	SEE CHART	SD-19007-004	1 OF 1
DRAWN BY	DATE	TITLE																								
RCM	1989/07/26	FLAG QUICK DISCONNECT, FULLY INSULATED, .250 X .032 TAB SIZE																								
CHECKED BY	DATE																									
JM	1989/07/26																									
APPROVED BY	DATE																									
FP	1989/07/26																									
MATERIAL NO.	DOCUMENT NO.	SHEET NO.																								
SEE CHART	SD-19007-004	1 OF 1																								
SIZE B THIS DRAWING CONTAINS INFORMATION THAT IS PROPRIETARY TO MOLEX INCORPORATED AND SHOULD NOT BE USED WITHOUT WRITTEN PERMISSION																										